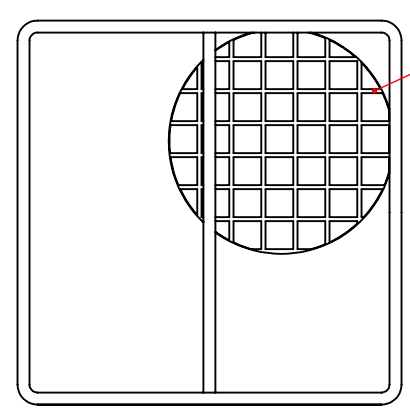
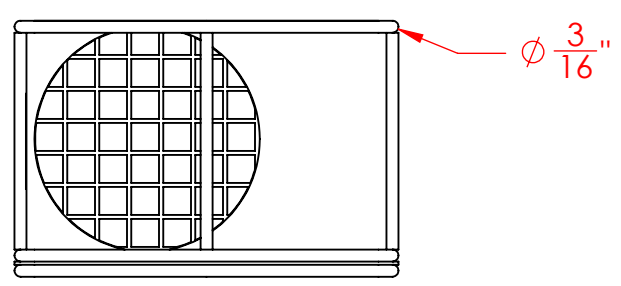
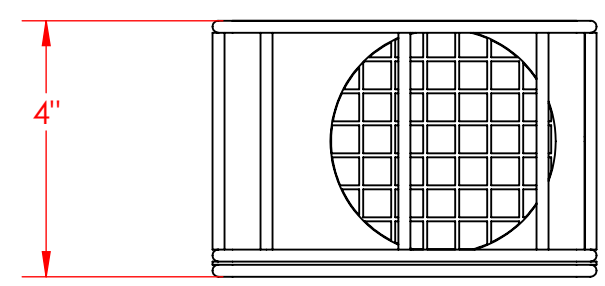
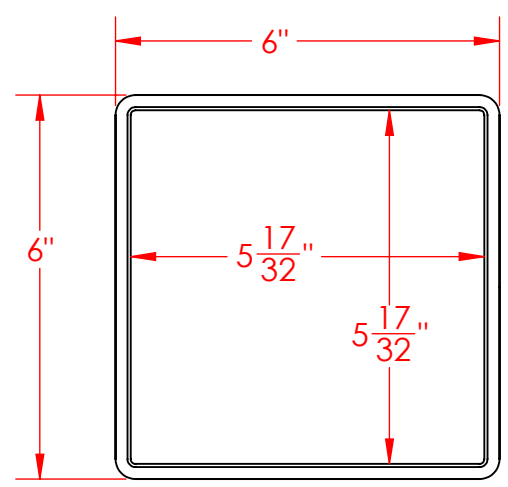


8 7 6 5 4 3 2 1

D  
C  
B  
A

D  
C  
B  
A



Lined Bottom and Sides with  
2 Mesh x .063" Welded Wire  
(.437" Openings, 76% Open Area)

**PROPRIETARY AND CONFIDENTIAL**  
THE INFORMATION CONTAINED IN THIS DRAWING IS THE SOLE PROPERTY OF THREE M TOOL. ANY REPRODUCTION IN PART OR AS A WHOLE WITHOUT THE WRITTEN PERMISSION OF THREE M TOOL IS PROHIBITED.

UNLESS OTHERWISE SPECIFIED:	
DIMENSIONS ARE IN INCHES	
TOLERANCES:	
FRACTIONAL $\pm 1/16$ "	
ANGULAR: $\pm 5$ DEG.	
TWO PLACE DECIMAL $\pm 0.03$	
THREE PLACE DECIMAL $\pm 0.015$	
EST WGT	1.3 lbs.
MATERIAL	304 Stainless Steel
FINISH	Natural
DO NOT SCALE DRAWING	

**Rectangular Wire Mesh Basket:**  
6Lx6Wx4H, 304 SS, 3/16 Rod Frame,  
No Handles, Mesh: 2 x .063

SIZE **B** DWG. NO. TMT-060060040-N02S

SCALE: 1:3

SHEET 1 OF 1

8 7 6 5 4 3 2 1